

1

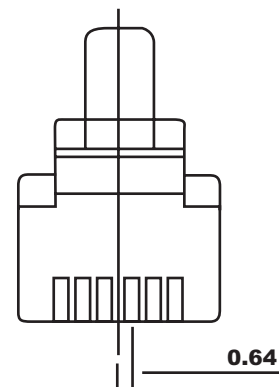
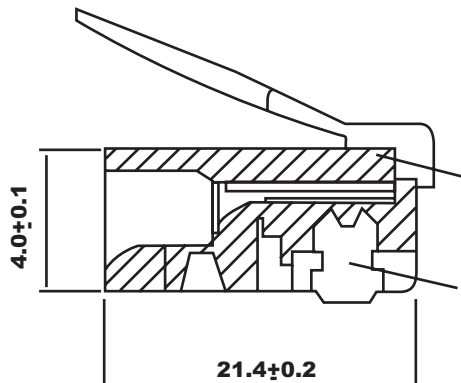
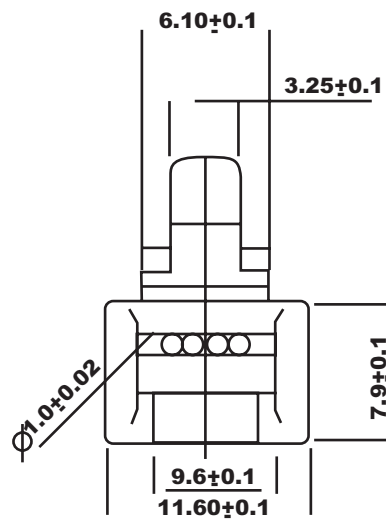
2

3

4

A

A

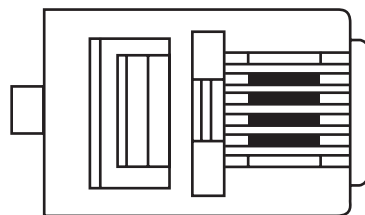


B

B

C

C



RoHS
Compliant

Description	
Name: A-MO-8_8-SF-R Modular Plug 8P8C Unshield 6u"	

No.	Part/Name	Material
1	Housing	PC Teijin L-1250Y 94V-2
2	Contact	Phosphor Bronze Gold Plated

THIS DRAWING IS UNPUBLISHED
© Copyright 2005 by Assmann Electronic Components All International Rights Reserved
This drawing is a controlled document for Assmann Electronics, Inc. It is subject to change and the controlling engineering organization should be contacted for the latest revision.

1

2

3

4

D

D